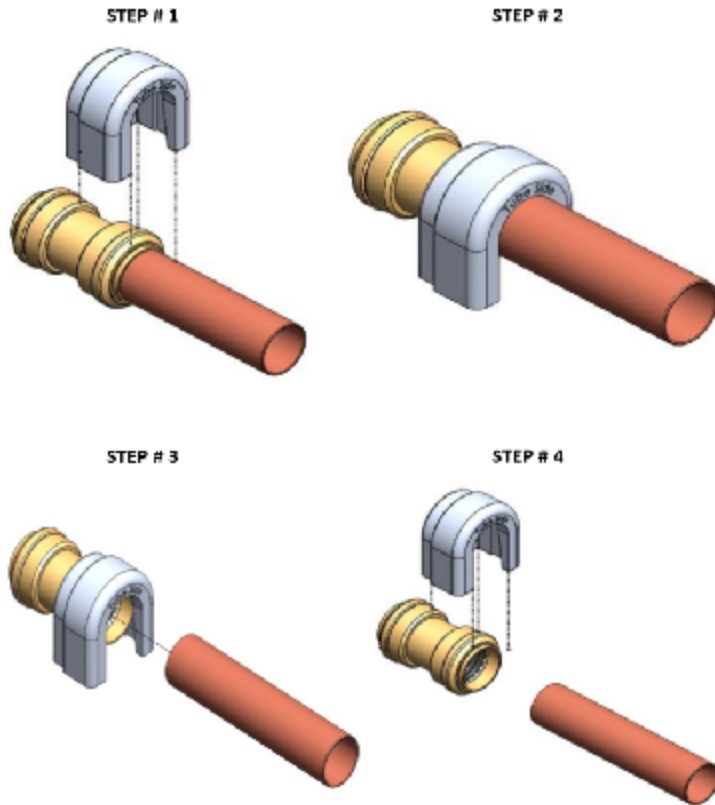
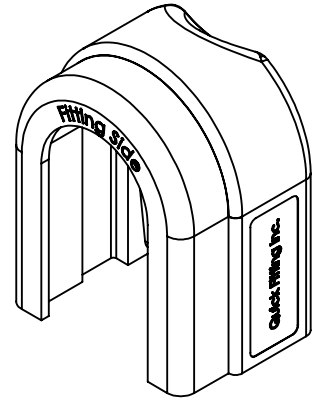
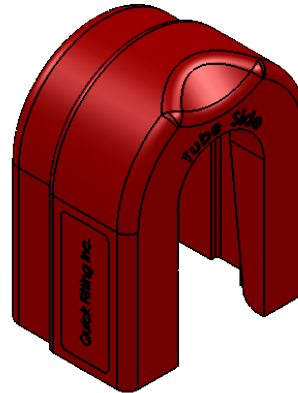
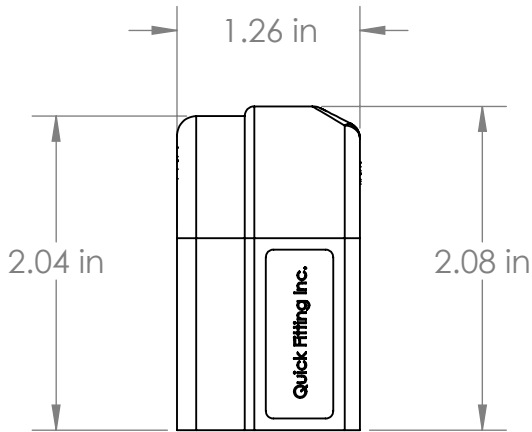


## Specification Sheet

### 1" Disconnect Tool Part #: PP-RT100



### Materials & Specifications

ITEM #	DESCRIPTION	MATERIAL
1	1" Disconnect tool	ABS
2		
3		
4		
5		
6		
7		
8		
9		
10		

### FEATURES AND BENEFITS

- Removable
- Re-usable
- USA Patented Technology
- Easy to use

### PROPRIETARY AND CONFIDENTIAL

THE INFORMATION CONTAINED IN THIS DRAWING IS THE SOLE INTELLECTUAL PROPERTY AND COPYRIGHT OF QUICK FITTING INC. ANY TRANSMISSION, DUPLICATION OR REPRODUCTION IN PART OR WHOLE WITHOUT THE WRITTEN CONSENT OF QUICK FITTING INC. IS PROHIBITED.