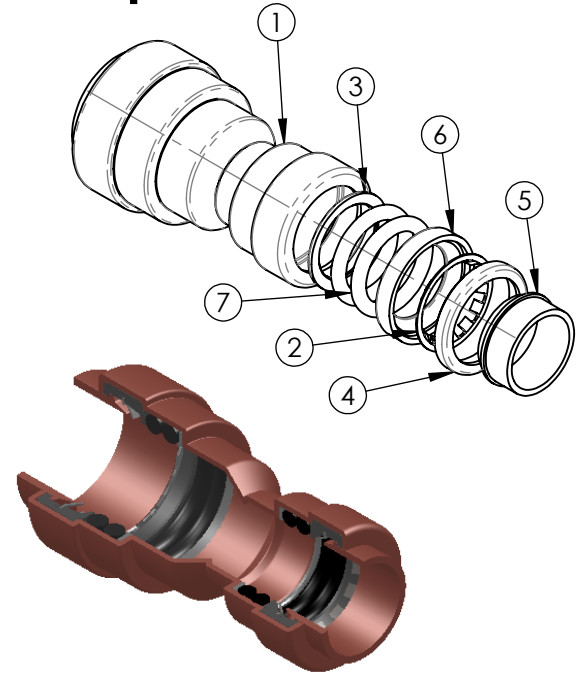
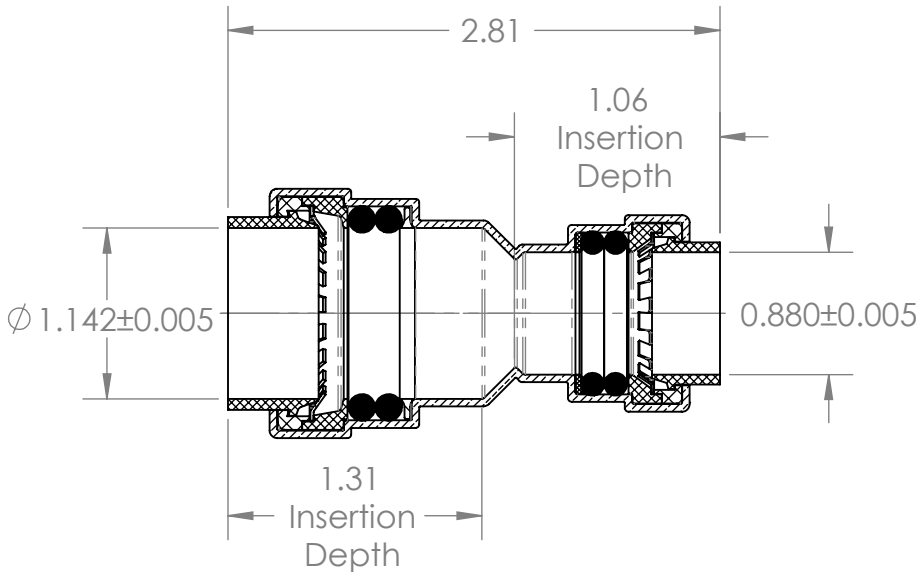


## Specification Sheet

**Model # : CHC54**  
**Copper 1" PC X 3/4" PC Reducing Coupling**

- **Material: Lead Free Copper**
- **Maximum: Working Pressure 250 PSI [17.3 bars]**
- **Maximum: Temperature Rating 250 °F [121 °C]**



**Approved Applications:**

- Plumbing
- Heating
- Irrigation
- Underground
- Hydronic Heating
- Behind Walls without Access Panel

**Features:**

- Dual Seal
- 75 Year Warranty
- Compatible With Copper, CPVC, PEX & PE-RT
- Push to Connect
- Lead Free Copper
- Full Flow
- Removable
- Re-usable
- Replaceable O-Ring Seal Design

**MATERIALS & SPECIFICATIONS**

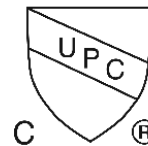
| NO. | COMPONENT     | MATERIAL        |
|-----|---------------|-----------------|
| 1   | Body          | Copper          |
| 2   | Grip Ring     | Stainless Steel |
| 3   | O-Ring Spacer | Nylon 6-6       |
| 4   | Seat Ring     | Nylon 6-6       |
| 5   | Push Ring     | POM             |
| 6   | Spacer Gland  | Nylon 6-6       |
| 7   | O-Ring Seal   | EPDM70          |
| 8   |               |                 |

**FORCES FOR MECHANICAL SEPARATION TEST**

| NOMINAL SIZE |         | LONGITUDINAL (PULL) TEST |        |
|--------------|---------|--------------------------|--------|
| Inches       | mm      | Lbf                      | N      |
| 3/8 or <     | 10 or < | 100.0                    | 444.8  |
| 1/2          | 13      | 150.0                    | 667    |
| 3/4          | 19      | 275.0                    | 1223.2 |
| 1            | 25      | 475.0                    | 2112.8 |
| 1-1/4        | 32      | 700.0                    | 3113.6 |
| 1-1/2        | 38      | 1000.0                   | 4446.0 |
| 2            | 51      | 1675.0                   | 7445.4 |

**Certifications**

- cUPC
- ASSE1061 - 2011
- NSF/ANSI 61
- IAPMO Listed



\*A ProBite hi-flow tube stiffener should be used when connecting to PEX tube.

**PROPRIETARY AND CONFIDENTIAL**

THE INFORMATION CONTAINED IN THIS DRAWING IS THE SOLE INTELLECTUAL PROPERTY AND COPYRIGHT OF QUICK FITTING INC. ANY TRANSMISSION, DUPLICATION OR REPRODUCTION IN PART OR WHOLE WITHOUT THE WRITTEN CONSENT OF QUICK FITTING INC. IS PROHIBITED.



Overbuilt, not Overpriced!®